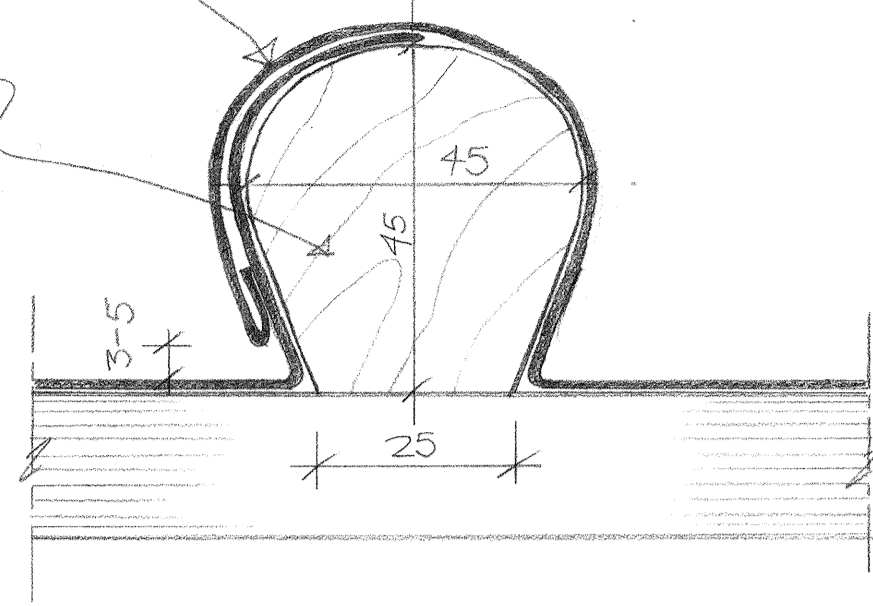


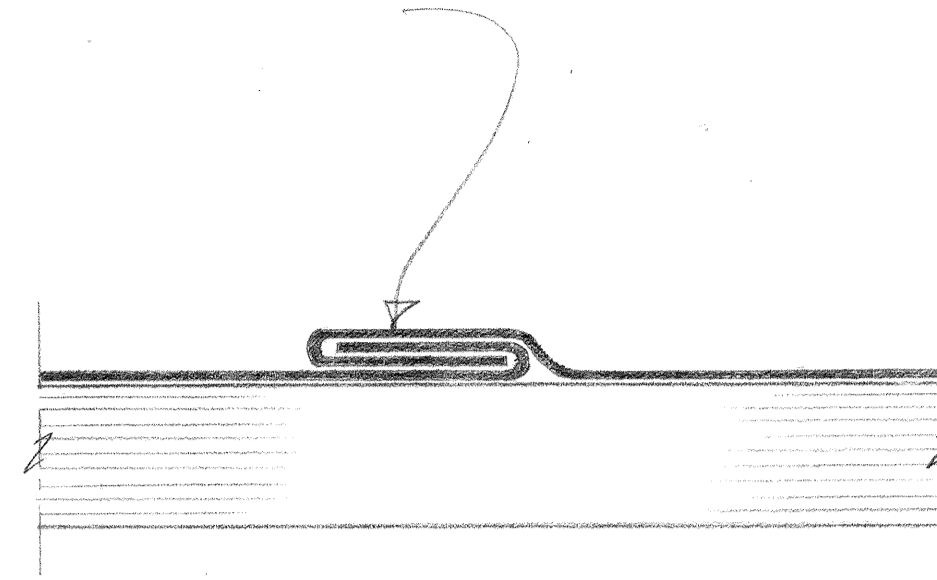
CODE 5/7 LEAD ON WATERPROOF BUILDING PAPER TO BS 1521 CLASS A (WITHOUT SPLASH LAP)

TREATED S/W ROLL NAILED TO TIMBER SUB-STRUCTURE



1 WOOD CORED ROLL DETAIL 1:1
64 FOR CODE 5/7 LEAD (TYPICAL)

LIGHTLY DRESSED DOWN WELT USING CODE 4/5 LEAD ON WATERPROOF BUILDING PAPER TO BS 1521 CLASS A.



2 WELT DETAIL (TYPICAL) 1:1
64

REAR GUTTER: CODE 7 LEAD ON WATERPROOF BUILDING PAPER TO BS 1521 CLASS A. FINISH: SWEAT COAT PATINATION OIL

MAX. LENGTH = 2500 MM
MAX. O/A GIRTH = 900 MM

WOOD CORED ROLL TO CENTRE LINE OF REAR GUTTER, NAILED TO 19MM WBP PLY SUBSTRUCTURE.

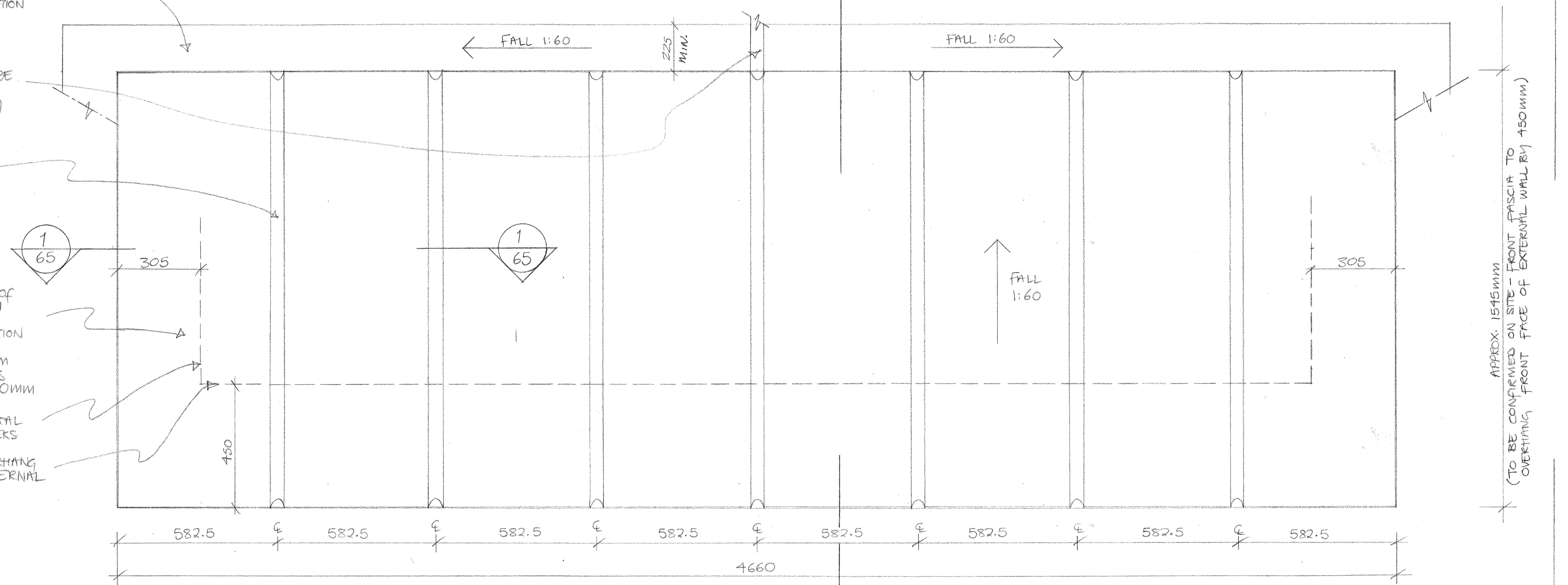
WOOD CORED ROLLS, SEE DETAIL 1 ABOVE (WITHOUT SPLASH LAP), NAILED TO 19MM WBP PLY SUBSTRUCTURE.

CODE 5 LEAD ON WATERPROOF BUILDING PAPER TO BS 1521 CLASS A. FINISH: SWEAT COAT PATINATION OIL

MAXIMUM LENGTH = 2000 MM
MAXIMUM SPACING OF JOINTS WITH THE ROOF FALL = 600MM

DASHED LINE INDICATES TOTAL OVERHANG TO CANOPY CHEERS

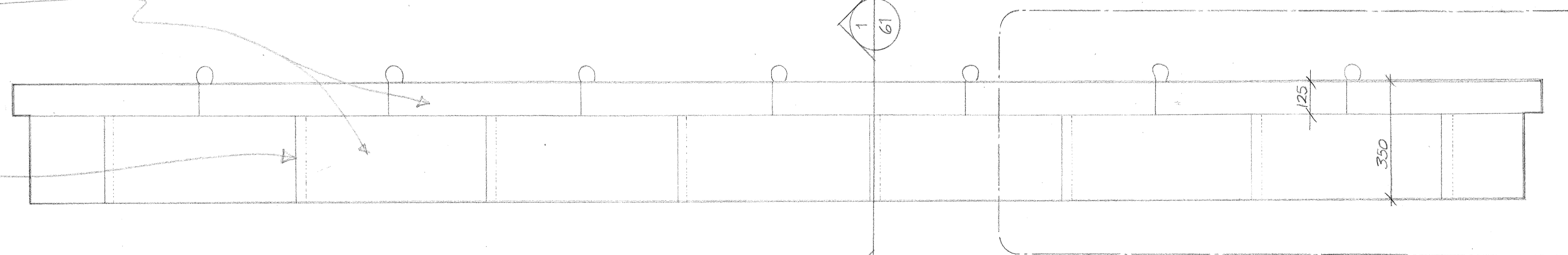
DASHED LINE INDICATES OVERHANG FROM FRONT FACE OF EXTERNAL WALL



3 LEAD CANOPY ROOF PLAN (TYPICAL) 1:10
64

CODE 5 LEAD ON WATERPROOF BUILDING PAPER TO BS 1521 CLASS A. FINISH: SWEAT COAT PATINATION OIL

WELTS POSITIONED CENTRALLY BETWEEN ROLLS. MAXIMUM SPACING OF VERTICAL WELTED JOINTS SHOULD NOT EXCEED 600MM FOR CODE 5 LEAD WITH NO INTERMEDIATE FIXINGS.



4 LEAD CANOPY - ELEVATION OF FRONT FASCIA (TYPICAL) 1:10
64

GENERAL NOTES:

- DRAWINGS TO BE READ IN CONJUNCTION WITH STRUCTURAL ENGINEERS, M/E AND ARCHITECTS, DRAWINGS AND SPECIFICATIONS.
- ALL CONSTRUCTION METHODS TO COMPLY WITH HEALTH AND SAFETY REGULATIONS AND ALL OTHER STATUTORY REGULATIONS.
- ALL WORKS TO COMPLY WITH RELEVANT BRITISH AND EUROPEAN STANDARDS.
- SHOP DRAWINGS MAY BE REQUIRED; TO BE INSPECTED BY ARCHITECT AND ENGINEERS.
- ALL LEADWORK INCLUDING FIXINGS TO COMPLY WITH GOOD PRACTICE AS DESCRIBED IN THE LATEST EDITIONS OF "THE LEAD SHEET MANUAL" PUBLISHED BY THE LEAD SHEET ASSOCIATION, UNLESS AGREED OTHERWISE.
- FINISH TO LEADWORK: APPLY TO ALL VISIBLE LEAD A SWEAT COATING OF PATINATION OIL, EVENLY IN ONE DIRECTION AND IN DRY CONDITIONS.
- CLIPS TO LEADWORK: USE LEAD CLIPS CUT FROM SHEETS OF THE SAME CODE AS THE SHEET BEING SECURED. LENGTH TO SUIT DETAIL, CENTRES TO SUIT DETAIL AND MODERATE EXPOSURE.
- FIXING LEAD SHEET: DO NOT USE INTERMEDIATE FIXINGS (EXCEPT AS NECESSARY TO SOFFIT) FIX INTO TIMBER SUBSTRATES WITH STAINLESS STEEL (AUSTENITIC) CLOUT NAILS, NOT LESS THAN 19MM LONG. DO NOT USE COPPER OR COPPER ALLOY NAILS.
- PRESERVATIVE TREATMENT TO WOOD: DO NOT USE PRESERVATIVE TREATMENTS WHICH ARE CORROSIVE TO ALUMINIUM, INCLUDING THOSE CONTAINING COPPER AND MERCURY SALTS.

APPROX. 1545MM
(TO BE CONFIRMED ON SITE - FRONT FASCIA TO OVERHANG FROM FACE OF EXTERNAL WALL BY 450MM)

A 11-05-01 KO/C GEN. NOTE 4 REVISED

REVISION	DATE	INITIALS	DETAILS

CLIENT
REEDSPACE LTD

PROJECT
EASTERN ROAD, BRACKNELL

DRAWING
TYPICAL LEAD CANOPY ROOF PLAN, FRONT FASCIA ELEVATION AND DETAILS.

SCALE
1:1 / 1:10

DRAWING NO.
9901/64 A

DATE
13 April '01

DRAWN BY
KO/C

Do not scale drawing. Dimensions to be verified on site.
This drawing is the property of Bill Reed Architecture and they reserve the copyright. The drawing is issued on the condition that it is not copied, reproduced, retained or disclosed to any unauthorised person, either wholly or in part, without the consent in writing of Bill Reed Architecture.

