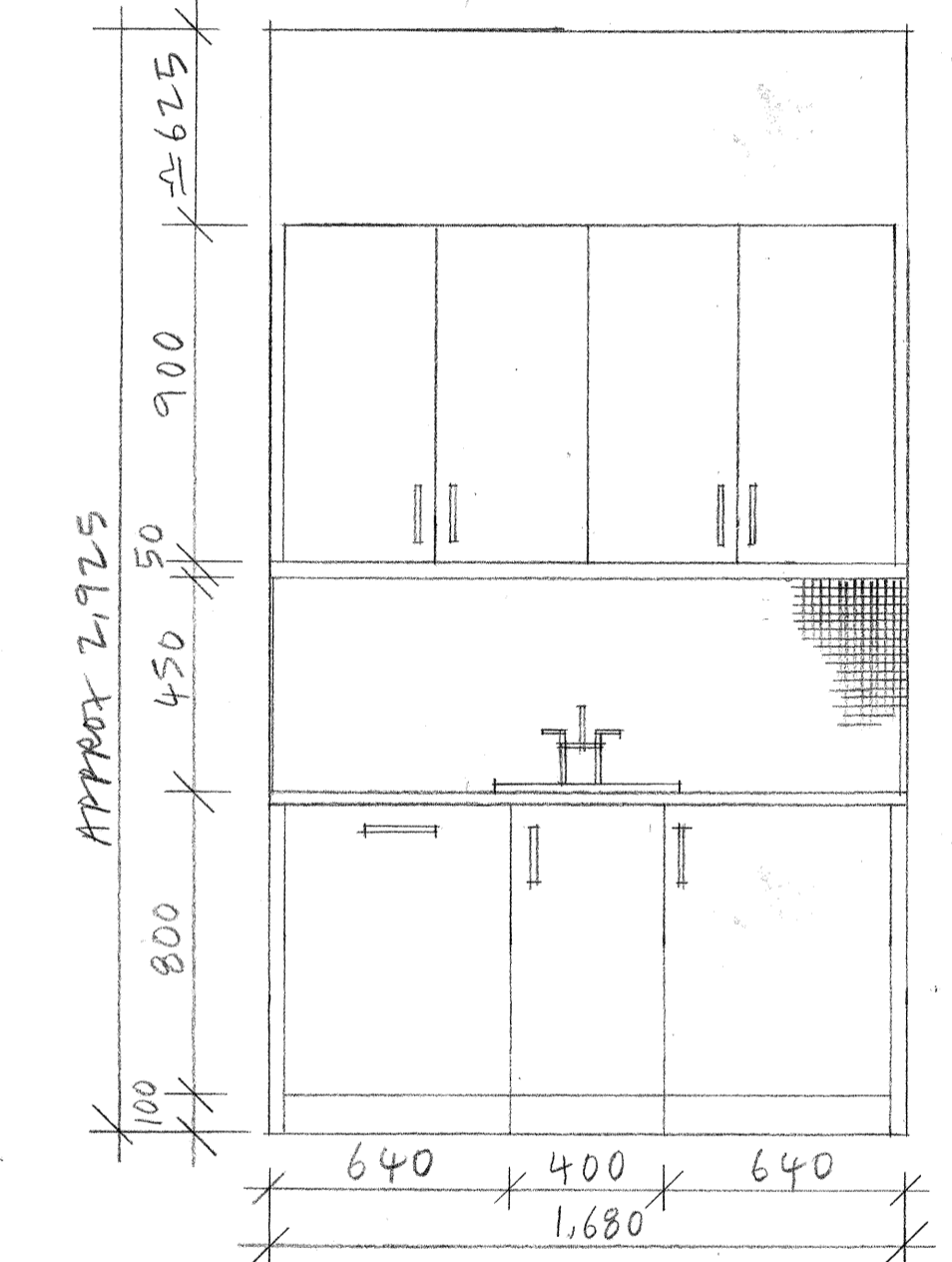
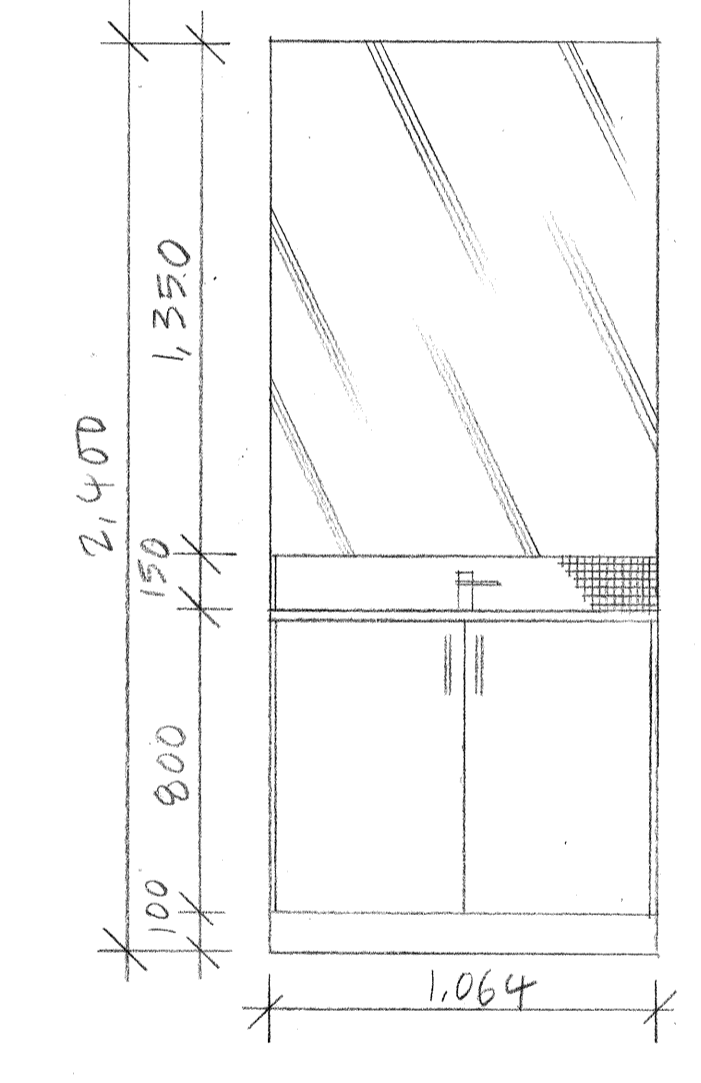
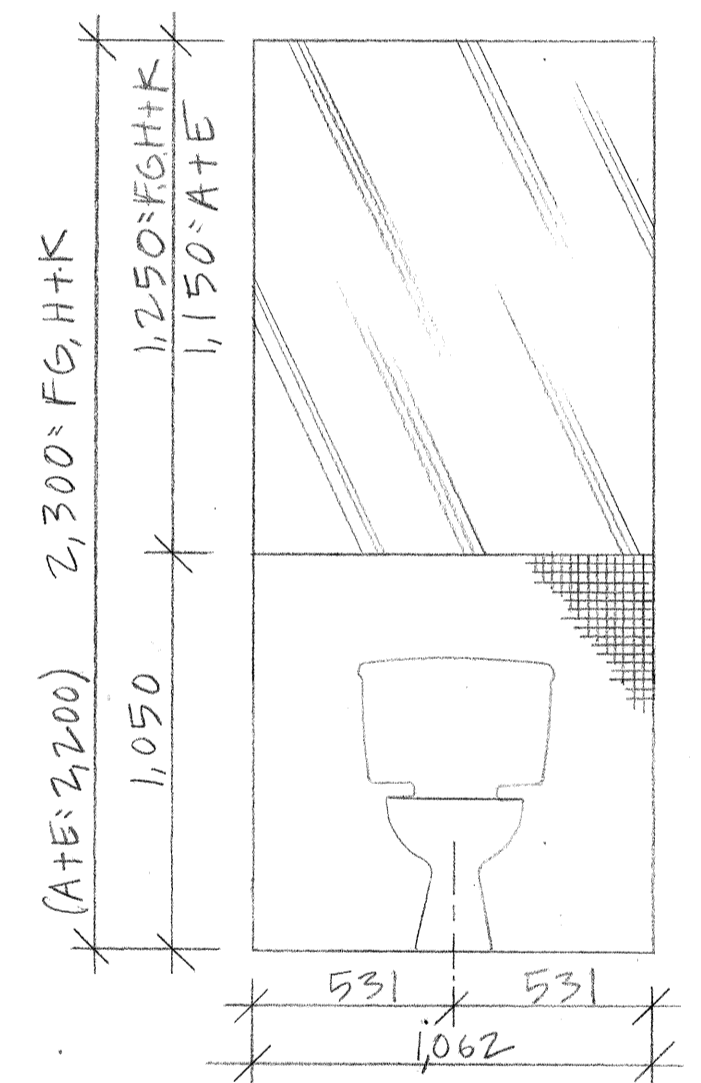
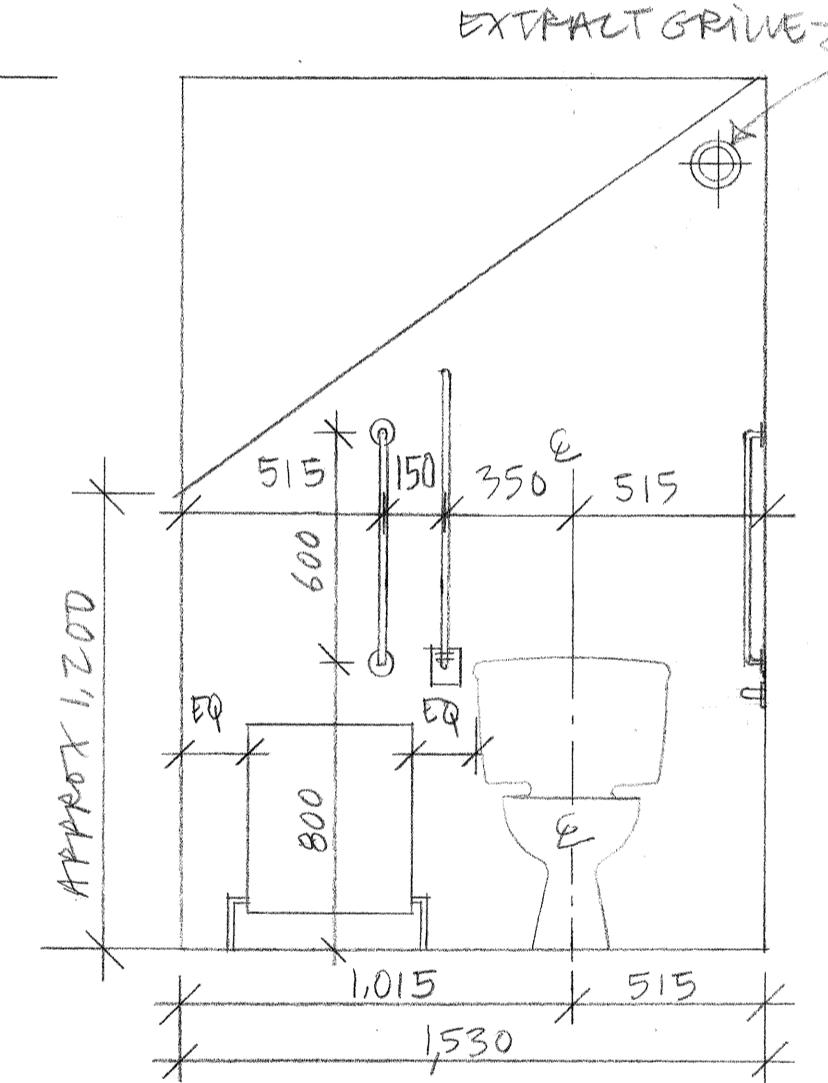
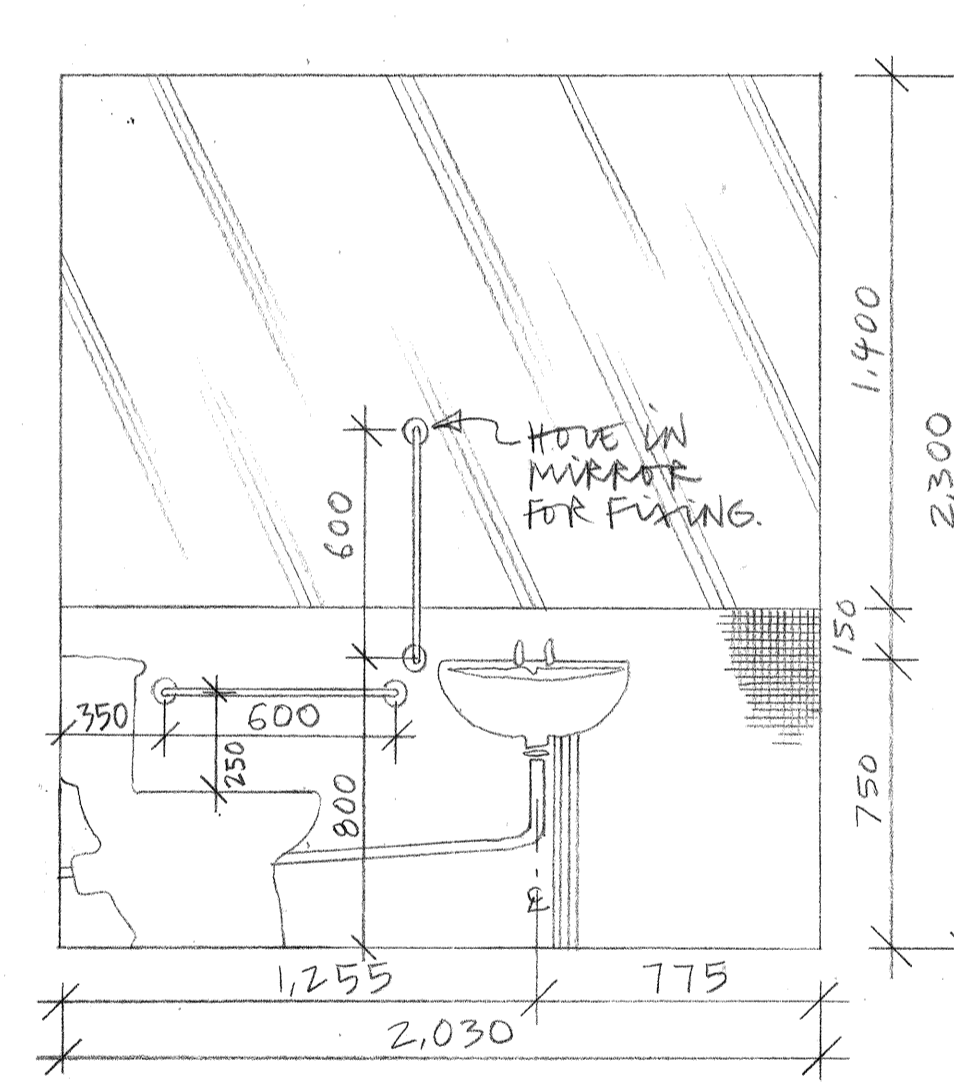


PLAN OF CORE AT GROUND LEVEL ON SMALL UNITS (UNIT F HANDED)



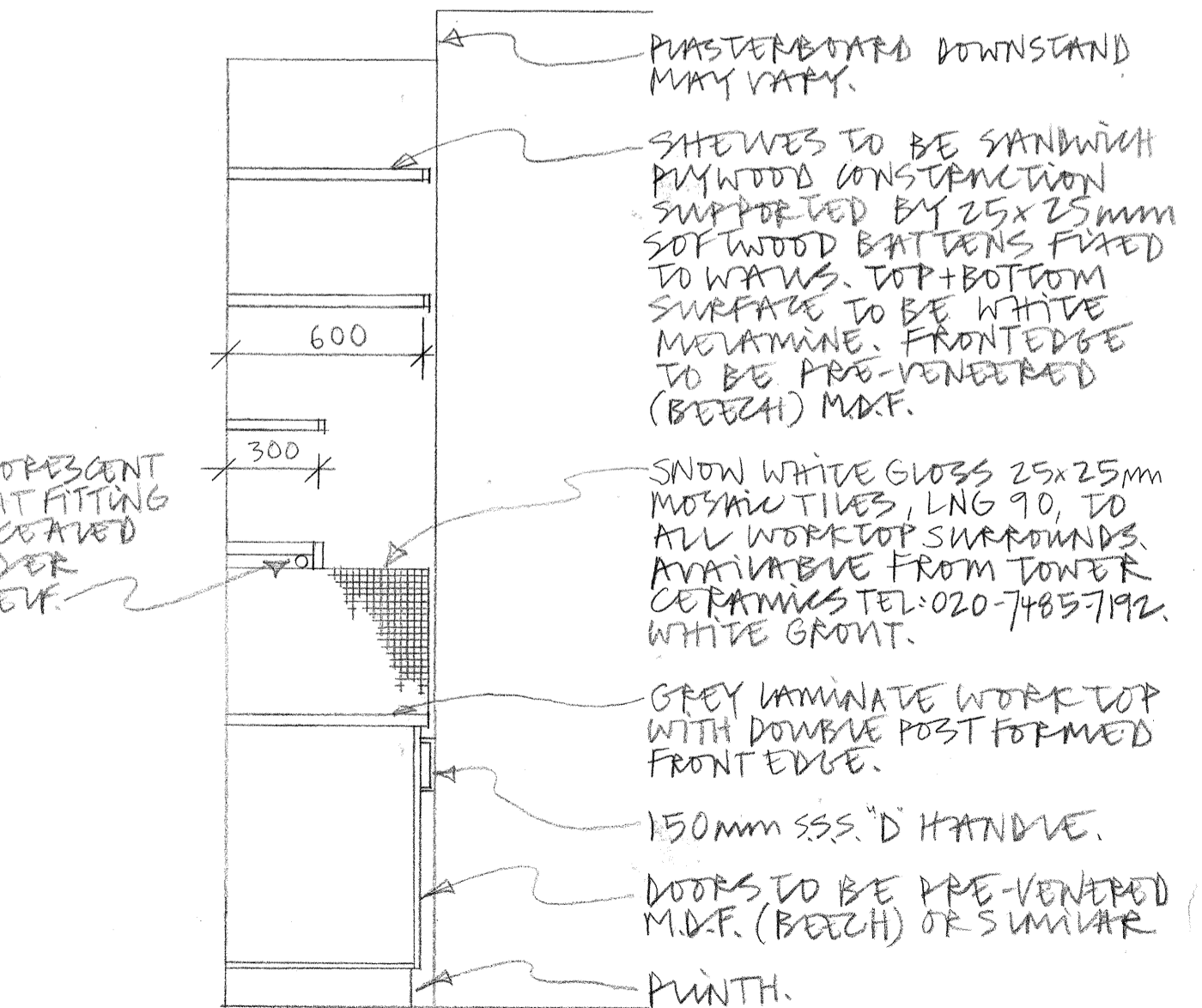
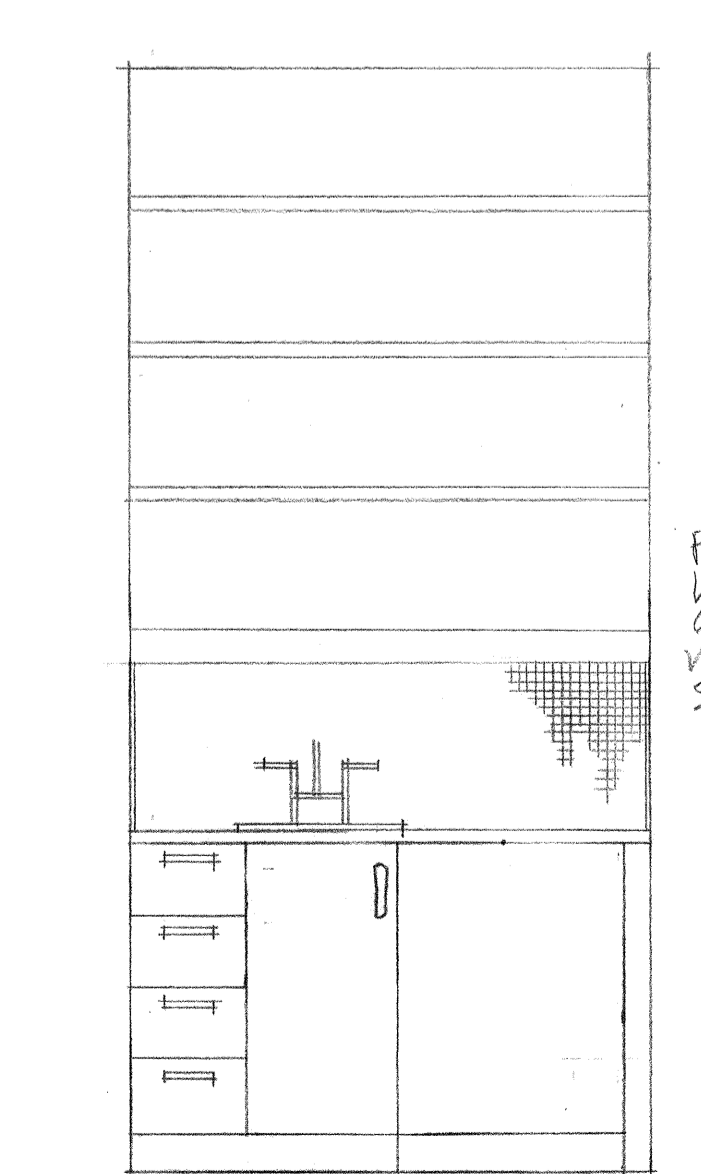
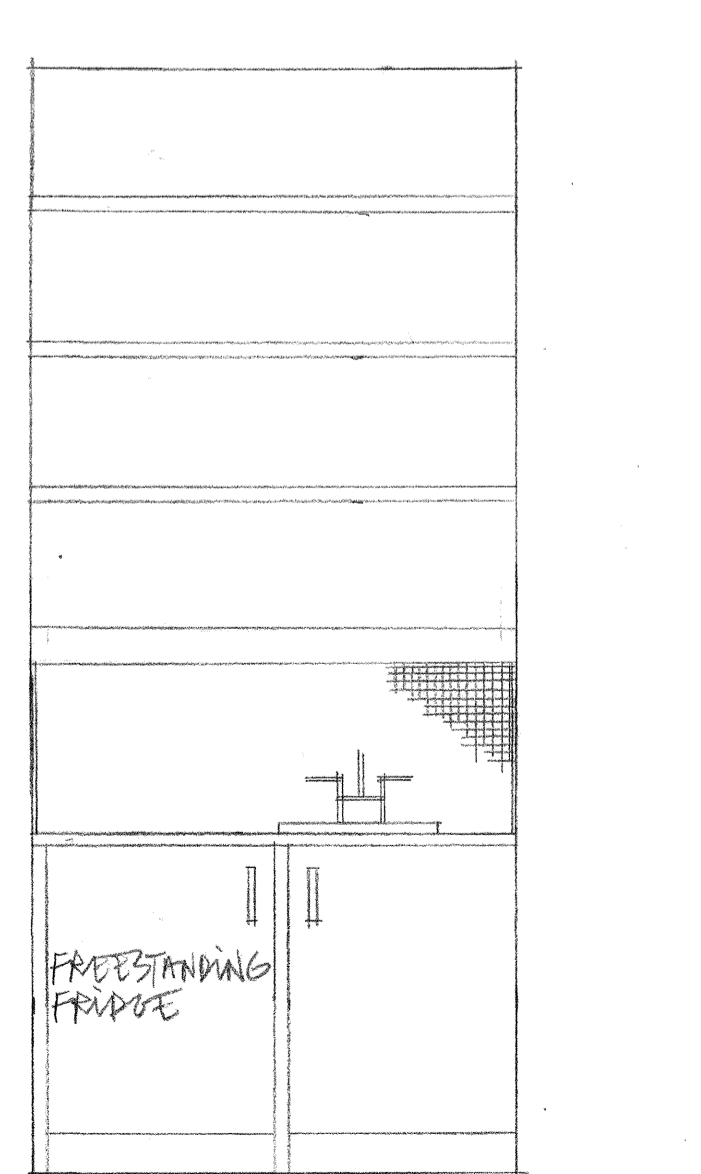
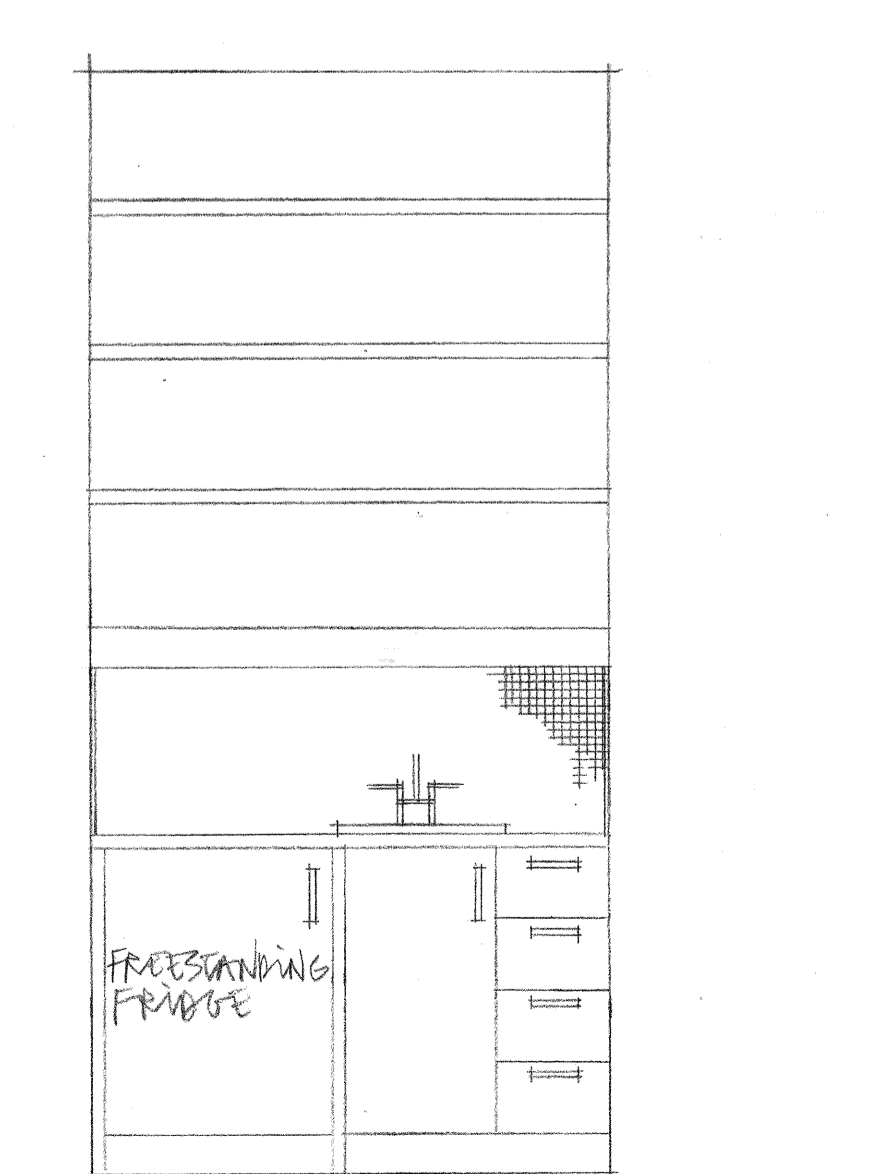
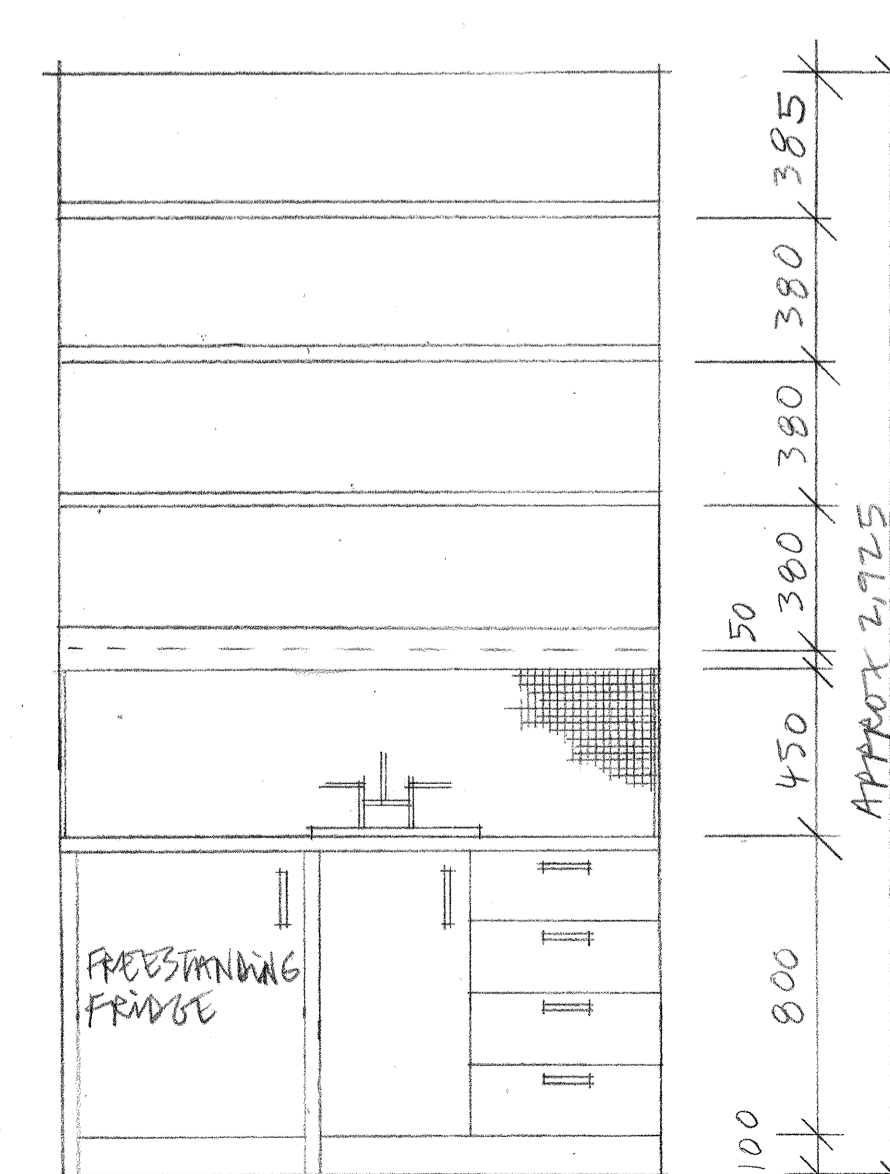
ELEVATION OF DISABLED TOILET SMALL UNITS

ELEVATION OF DISABLED W.C. SMALL UNITS (NOTE BARS FOR DISABLED NOT SHOWN)

ELEVATION OF W.C. UNITS SMALL UNITS

ELEVATION OF W.C. IN LOBBY SMALL UNITS

ELEVATION OF KITCHEN SMALL UNITS



GROUND FLOOR KITCHEN UNIT B

GROUND FLOOR KITCHEN UNIT C

GROUND FLOOR KITCHEN UNIT D

GROUND FLOOR KITCHEN UNIT L

SECTION THROUGH KITCHEN UNIT

REVISION	DATE	INITIALS	DETAILS
D	26.4.02	BY	CHANGES DUE TO EXPOSED PIPES.
C	4.3.02	BY	DIMENSIONS SHOWN FOR BOILER. L KITCHEN REVERSED.
B	24.2.02	BY	CEILING HEIGHT ATE W.C.
A	11.2.01	BY	LIGHT DETAILS CHANGED.

CLIENT	REEDSPACE LTD
PROJECT	EASTERN ROAD, BRACKENELL.
DRAWING	SERVICE CORES IN SMALL UNITS, AND GROUND FLOOR CORES IN LARGE UNITS.
SCALE	1:20 + 1:50
DRAWING NO.	9901/59D
DATE	17.2.01
DRAWN BY	BY

Do not scale drawing. Dimensions to be verified on site. This drawing is the property of Bill Reed Architecture and they reserve the copyright. The drawing is issued on the condition that it is not copied, reproduced, retained or disclosed to any unauthorized person, either wholly or in part, without the consent in writing of Bill Reed Architecture.